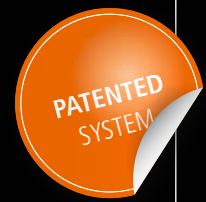




HOLZHER

**Glu Jet**



## Intelligent Edgebanding

- Program selection at the touch of a button.
- Alternative: fully automatic with barcode.

## **HOLZ-HER Glu Jet System** Invisible joints with thin film technology

Ultra-thin glue joints, easily equivalent to industrial laser edges, are easy to achieve with the HOLZ-HER Glu **Jet** System, which also offers unrivaled flexibility.

The clear advantages of the hybrid technology in combination with the new HOLZ-HER thin film technology, make this gluing system the all rounder for craftsmen and industrial users. Visual zero joints with PUR glue – allowing use in wet areas – are only natural for HOLZ-HER customers.

## Superior appearance for all materials

From state-of-the-art, high gloss edging right up to thick edging cross sections in the solid wood range, HOLZ-HER remains unequalled in terms of appearance, regardless of the material.

HOLZ-HER sets the trends for tomorrow today.

- Solid wood edging
- Veneer edging
- Plastic edging
- Aluminum edging
- Formica edging
- Melamine resin edging
- and many others





## Innovative technology for one-of-a-kind edging results

### Three independent heating circuits

- The ring heater [1] heats up the front section of the cartridge, expanding the cartridge and thus sealing the melting area hermetically.
- The main heater [2] heats the hot melt glue up to operating temperature. This is all accomplished in less than one minute.
- The nozzle heater [3] heats the entire steel nozzle up to the precisely desired temperature. This requires approximately 3 minutes.

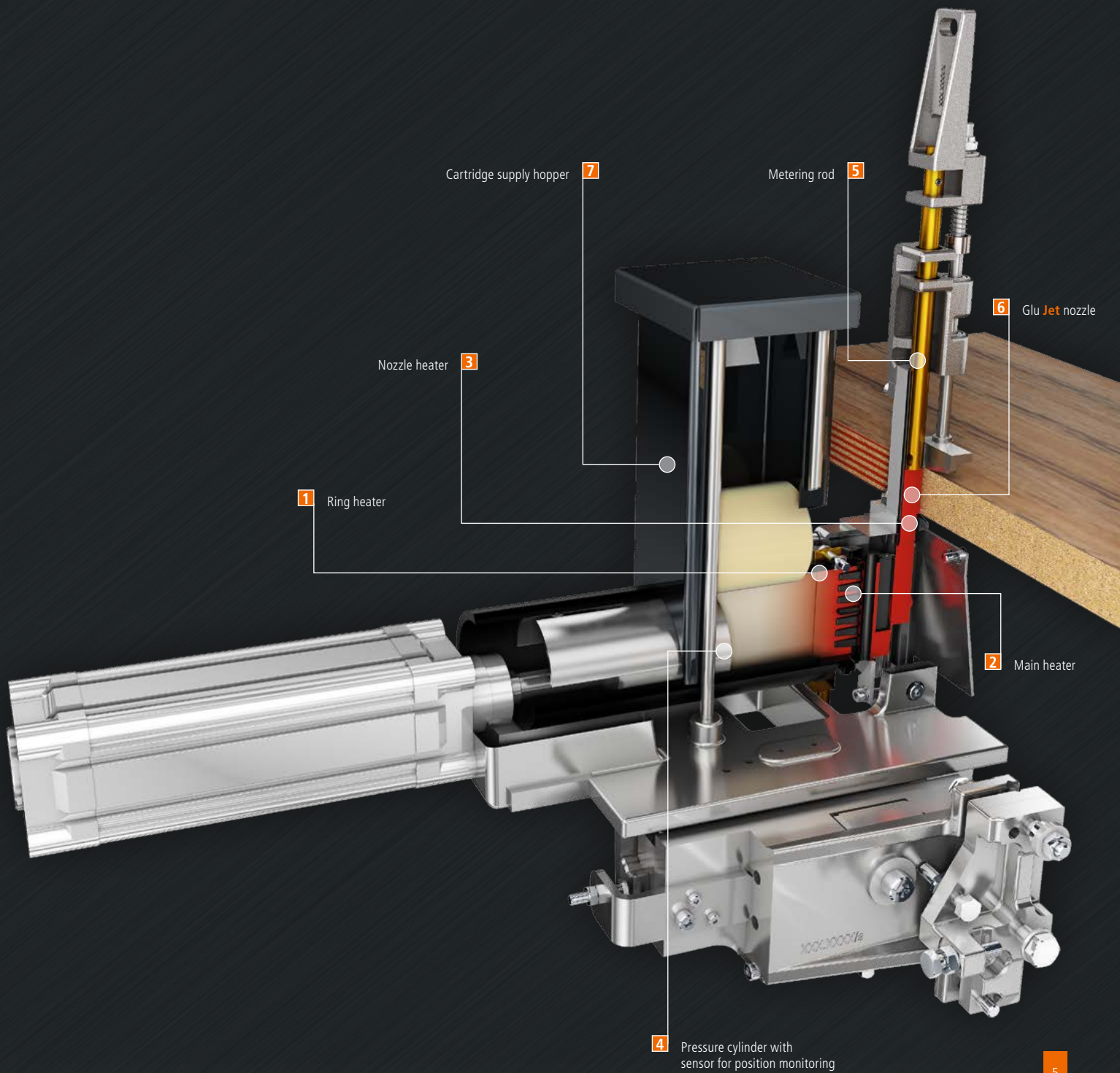
### Glue application

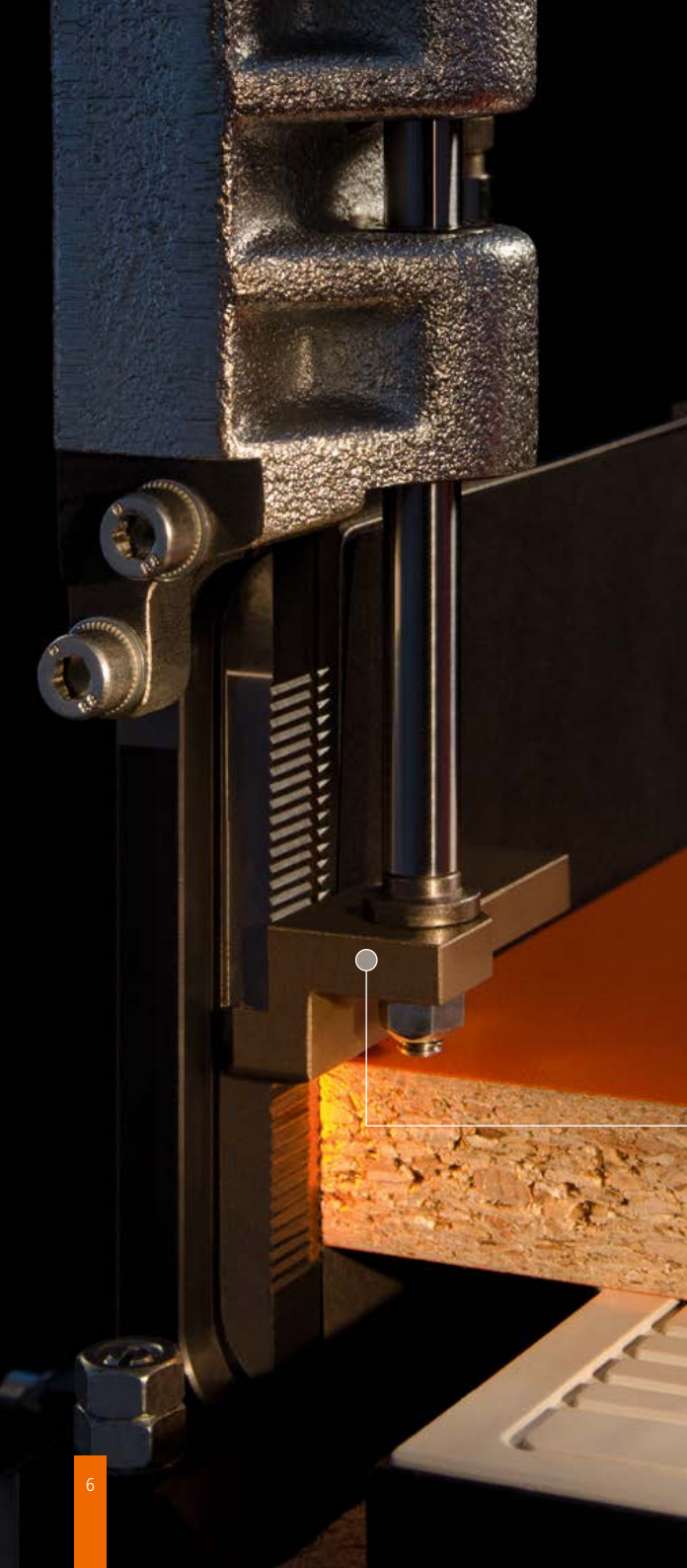
- The pressure cylinder [4] presses the cartridge or the granules against the heater elements at a maximum pressure of 6 bars.

- The hot glue rises in the metering rod [5] and can then be processed. The control opens and closes the metering rod to meter the glue precisely under pressure to the Glu Jet nozzle [6].

### Automatic replenishment

- The pressure cylinder presses the cartridge or granules against the heater elements. After reaching a certain position, the sensor sends a replenishment signal to the control. As long as glue is being applied to a workpiece, charging is delayed until the work is finished. The pressure cylinder retracts automatically, a new cartridge or fresh granulated material drops from the cartridge supply hopper [7] in to the heating shaft where it is again pressed against the heating elements (Glu Jet automatic).



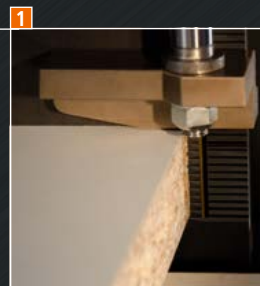


## Tracing nozzle

### Precision at the highest level

The Glu **Jet** with its optimized nozzle design arrangement automatically adapts to all common panel thicknesses worldwide.

- The tracing nozzle **[1]** automatically compensates panel thickness tolerances.
- The sensing shoe is spring mounted and opens the nozzle to exactly the panel thickness sensed.
- This results in perfect, clean glue application even on panels with highly varying thicknesses.



Tracing nozzle



EXTREMELY  
WATER-RESISTANT

## > Industrial glue systems for permanent joints

### Glue cartridge [1]

The water-resistant properties of polyurethane glue provide enormous advantages, particularly in the area of furniture for baths and kitchens. HOLZ-HER's standard features always allow you to use PUR glue as well as easily remove it completely from the system without residues through a purging hole at the touch of a button with special neutralization cartridges or granule cleaner.

**EVA = Ethylene vinyl acetate**

**PUR= Polyurethane**

Both substances are cross-linked plastics, which act as an "adhesive" between the workpiece and edging following a chemical reaction from heating and cooling.

### Glue granules [2]

All common types of glue are also available in granule form and can be processed in the HOLZ-HER Glu **Jet** System. For this purpose HOLZ-HER provides practical granule hoppers in various sizes, which can be quickly and easily changed on the machine.



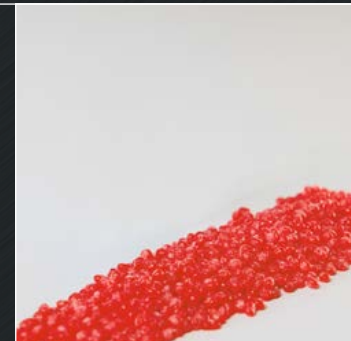
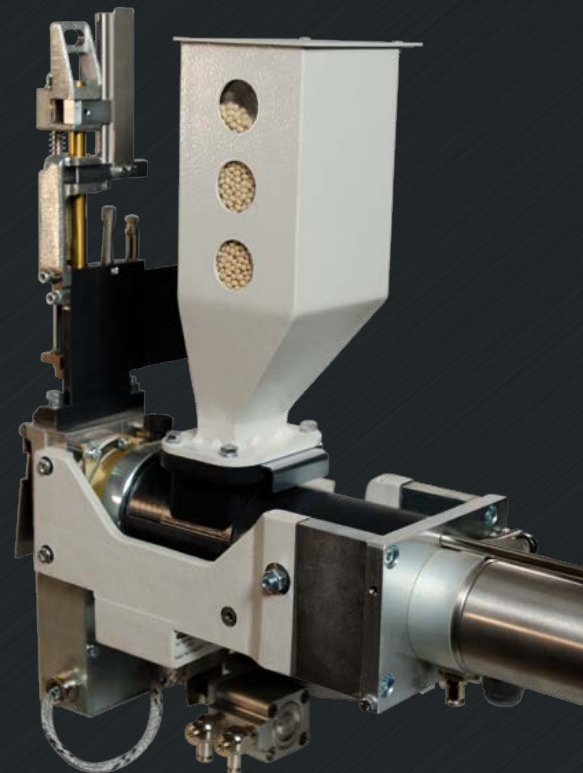
## Hybrid technology

### Two perfectly combined systems

The edgebander is decisive for furniture with a high quality appearance. You can also profit from 45 years of HOLZ-HER technological leadership in edgebanding.

- Change over from colored to neutral glue at the flick of the wrist.
- Change over from cartridge to granule form in minutes.
- Change over from EVA to PUR glue also possible within the shortest time.
- And the entire system can also be completely cleaned in just a few minutes.





Cleaning cartridges and granule cleaner



## System advantages

Top quality – highly flexible,  
time and energy saving

- The slit nozzle applies the glue to the panel exactly at a pressure of 6 bars. This ensures a strong joint between the panel and edging.
- Sensing allows precise height adjustment of the system to the panel thickness.
- Easy processing of various types of glue. EVA or PUR – all types of glue can be processed in cartridge or granule form.
- Can hold up to four cartridges or up to 1.5 kg of granule material (Option: 5 kg hopper).
- Sealed system prevents unpleasant odors from escaping glue vapors.
- Simple color change ensures that glued joint matches decoration.
- The nozzle design ensures homogeneous glue application.

- Slim nozzle design ensures smaller infeed angle.  
Reliable machining of edging up to 30 mm.
- Glue is applied exactly as required. This saves costs and optimizes quality.
- The glue is never discolored or burned, because only the required amount of glue is melted in the sealed system.
- Rational change from glue cartridge to glue granules – simply change supply hopper and type of glue.
- Extremely short heat-up time of 3 minutes.  
Valuable production time is saved and energy costs reduced.
- Purging hole for automatic cleaning system – e.g. cleaning out PUR glue
- Low maintenance requirements provide additional cost reduction.



Illustrations may contain optional features.

UK – HOLZ-HER 3444 25 – Printed in Germany/Imprimé en Allemagne  
Printed on: 02.03.2016 – First edition: 07.03.2012



**HOLZHER**

**HOLZ-HER GmbH**

D-72622 Nürtingen

Tel.: +49 (0) 70 22 702-0

Fax: +49 (0) 70 22 702-101

**[www.holzher.com](http://www.holzher.com)**